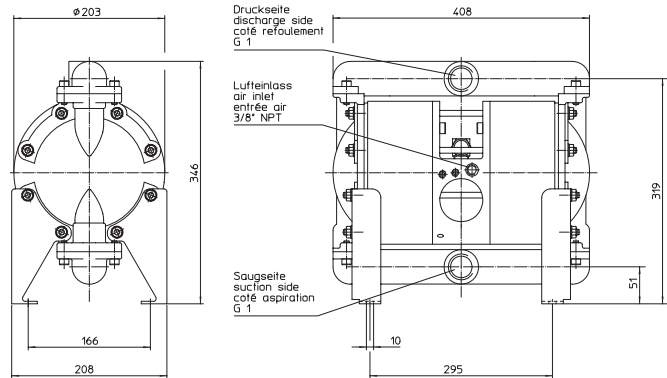


# FLUX high pressure air diaphragm pump FDMH 25 in metallic version, operating pressure up to max. 20 bar – ratio 3:1



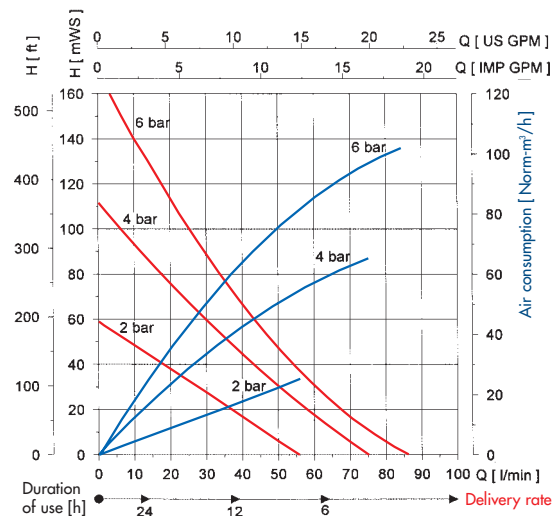
Electrically conductive for use in hazardous areas according to ATEX-Directive 94/9/EG 



## Technical Data FDMH 25

Delivery rate max.	85 l/min
Delivery pressure max.	20 bar
Operating pressure max.	7 bar
Ratio	3 : 1
Max. size of solids	3,2 mm
Connection pump	
Suction side	G 1
Discharge side	G 1
Connection air	
Inlet	3/8" NPT
Outlet**	3/8" NPT*

\*With silencer



Values  $\pm 10\%$  with water at 20 °C

Type	Pump housing	Diaphragm	Ball	Hub	Seal	Weight	Part No.
FDMH 25 S/TS	Stainless Steel	PTFE	Stainless Steel	Stainless Steel	PTFE	43,0 kg	M25 20 200

Air-motor body Aluminium

## Application examples:

- Colour agitation
- Conveyance of fluids with a high viscosity through pipings with thereby resulting high pressure
- Filter presses
- High viscosity or pasty substances